

VHF96

6 dB VHF Fibreglass Antenna 1.2 m

- Heavy duty antenna for commercial and fishing vessels
- Easy installation directly on 27mm pole/mast
- Full $5/8 \lambda$ Ground Plane Antenna design
- Full omni-directional radiation pattern
- No groundplane needed
- Factory tuned to the International Maritime VHF-Band



Electrical Specifications:

Frequency	156 - 162.5 MHz (International Maritime VHF-Band)
Bandwidth	6.5 MHz
Impedance	50 ohm
VSWR	< 1.5:1
Polarisation	Vertical
Gain	6 dB (Marine), 3 dBd, 5.1 dBi
Max. Input Power	250 W
Antistatic Protection	Direct Ground

Mechanical Specifications:

Color	White and chrome
Height	Approx. 1215 mm
Weight	1.5 kg
Mounting	On pole \varnothing 27 mm only (Not supplied)
Materials	PU-painted glassfibre, copper, Nylon and chrome plated solid brass
Operating temperature	-55C to +70C (IEC 60068-2-1, IEC 60068-2-2)
Connector	UHF-female
Cable	No cable supplied
Ingress Protection	IP24

Ordering information:

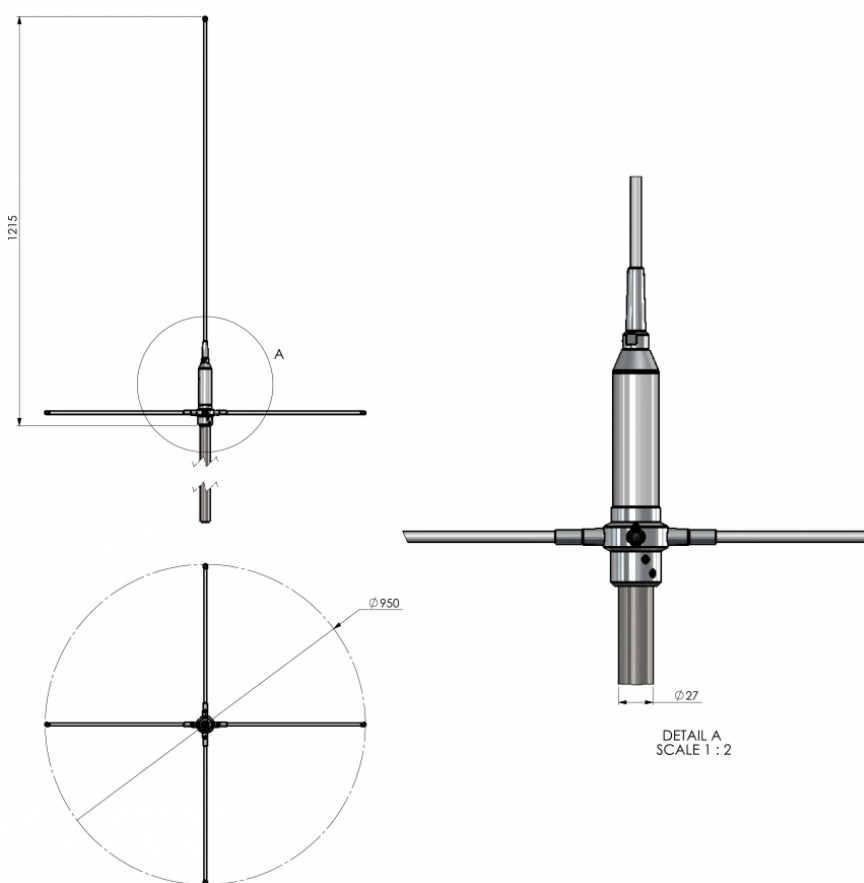
P/N	11096-001
-----	-----------



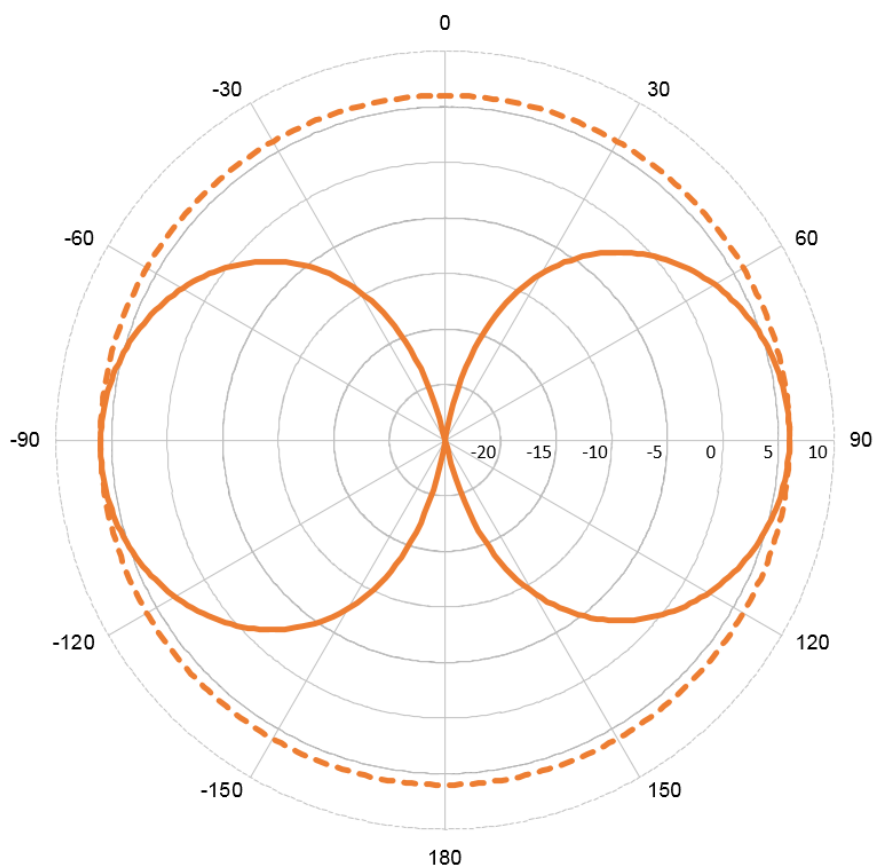
Packaging Information:

Type	Polybag
Size	Approx. 1.3 m
Weight	Approx. 1.5 kg

Outline Drawing



Radiation Pattern



Typical VSWR

